



SERIES BV 9900S

REGULATED



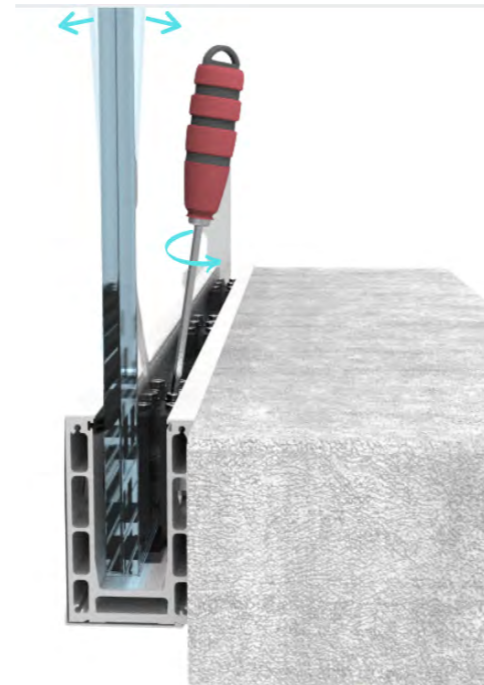
SERIES BV 9900S

TECHNICAL INFORMATION

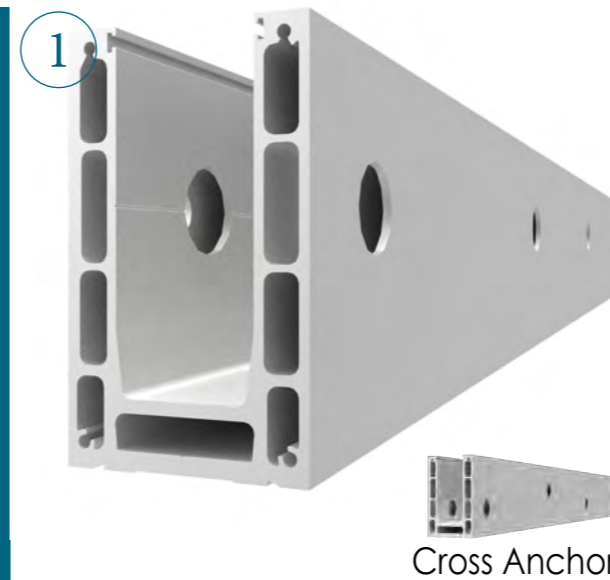
BV9900S – is our innovative and most technically advanced glass railing system for side mount. With over 15 months of development and prototyping, we were able to deliver ease of installation to a whole new level. Precise alignment of the glass is made from the safety of the inside of the balcony with just a hexagon M5 key, all done in seconds with an electric screwdriver. Its strength of up to **4kN** using standard tempered laminated glass makes this system among the most desirable solutions on the Market.

Durability is a key priority for not only for us and but also for our customers. This is why we made the internal moving parts from Inox and we also use a special patented blend of plastic with twice the recommended UV protection. Rubber seals are made from the most durable EPDM and have the highest UV protection.

BV9900S is a system for a side mount that will withstand any weather conditions it's subjected to like: Wind, Rain, Salt, and Uv-rays. BV9900S successfully covered certification for side mounting for residential, domestic, and industrial together with heavy human traffic applications. It is proven that the glass railing system is suitable for any usage requiring a side mount.

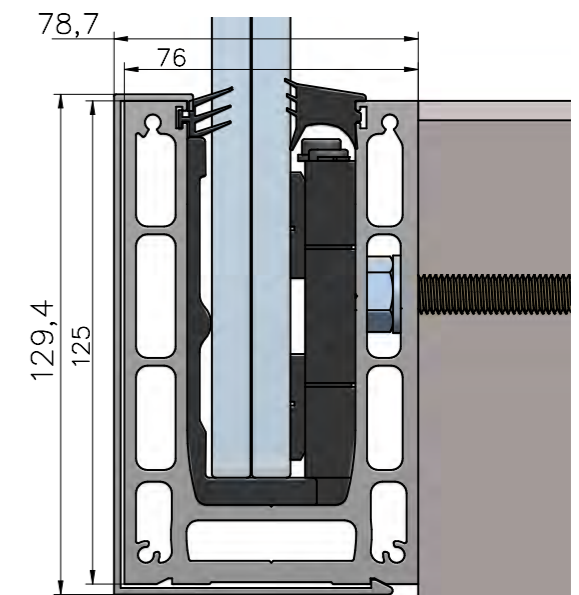


Profile



Cross Anchors

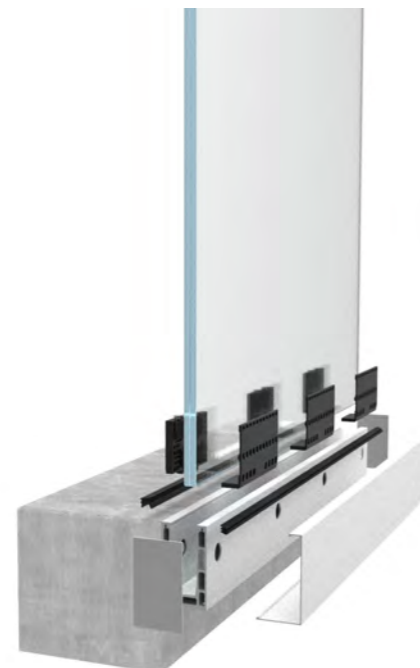
Technical drawing




To produce the BV9900S we use the highest quality series of aluminum EN AW 6063, its well known for its extreme strength and elastic resistance designed to work with 15-21.52mm glass.




Disassembled




Regulated profile
up to 4 kN
16.3-21,52 mm glass.


Precise alignment from the
inside of the profile. Side
mount


5m channel, cover 9901S
4 Anchors per meter

Components

2



PLASTIC INSERTS

K9900-16 (16mm)
K9900-20 (20mm)

3



SIDE COVER

BV 9901S

4



**BEGINING AND
END COVER**

BV 9901SK

INSTALL GUIDE

SIDE MOUNT - BV 9900S



To achieve perfect alignment use the two left most screws. First one tilts the glass towards you, the second opposite direction. When perfect alignment is achieved secure all other screws.

1



1. Drill, vacuum, insert glue and chemical anchor.

2



2. Place system and secure using a ratchet spanner

3



3. Place out facing lid and rubber seal.

6



6. Finished look.

5



5. Insert regulating system and regulate as shown in the bigger picture.

4



4. Place outer plastic insert