



# SERIES BV 9900

REGULATED



# SERIES BV 9900

TECHNICAL INFORMATION

**BV9900** – is our innovative and most technically advanced glass railing. With over 15 months of development and prototyping, we were able to deliver ease of installation to a whole new level. Precise alignment of the glass is made from the safety of the inside of the balcony with just a hexagon M5 key, all done in seconds with an electric screwdriver. Its strength of up to 4kN using standard tempered laminated glass makes this system among the most desirable solutions on the Market.

Durability is a key priority for not only for us and but also for our customers. This is why we made the internal moving parts from Innox and we also use a special patented blend of plastic with twice the recommended UV protection. Rubber seals are made from the most durable EPDM and have the highest UV protection.

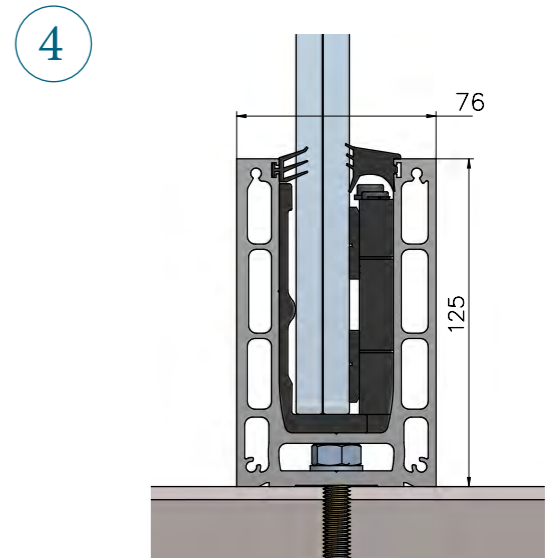
**BV9900** is a system that will withstand anything it's subject to like: Wind, Rain, Salt, and Uv-rays. BV9900 successfully covered certification for residential, domestic, and industrial together with heavy human traffic applications. It is proven that the glass railing system is suitable for any usage.



Profile



Technical drawing



To produce the BV9900 we use the highest quality series of aluminum EN AW 6063, its well known for its extreme strength and elastic resistance designed to work with 16.30-21.52mm



A



B

Integrated

- Regulated System up to 4 kN 16.3-21,52 mm glass.
- Precise alignment from the inside of the profile. Top and underfloor mount
- 5m channel 4 Anchors per meter

## Components

3

**PLASTIC INSERTS**  
K9900-16 (16mm)  
K9900-20 (20mm)

**BEGINING AND END COVER**  
BV 9900K

# INSTALL GUIDE

## BASE MOUNT - BV 9900

ANIMATION HERE



6

To achieve perfect alignment use the two left most screws. First one tilts the glass towards you, the second opposite direction. When perfect alignment is achieved secure all other screws.



5. Finished look.



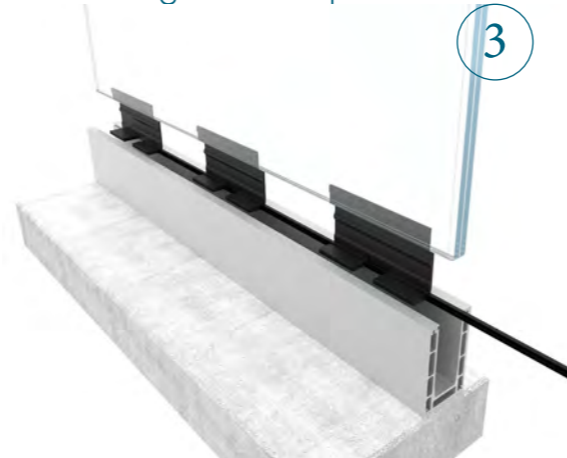
1

1. Drill, vacuum, insert glue and chemical anchor.



2

2. Place system and secure using a ratchet spanner



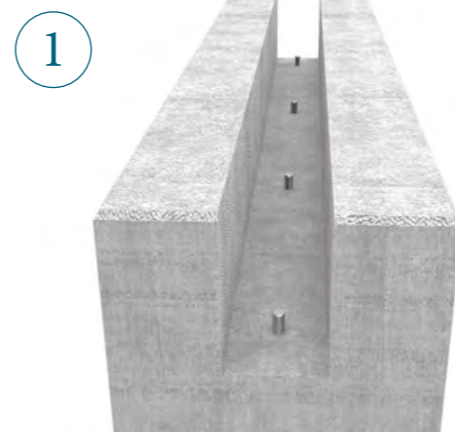
3

3. Place back rubber seal and back plastic insert and laminated glass.



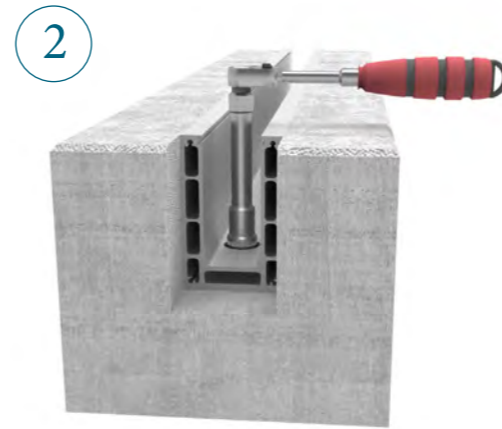
4

4. Insert regulating system and align glass as shown on bigger picture.



1

1. Drill, vacuum, insert glue and chemical anchor in to allocated place.



2

2. Place system and secure using a ratchet spanner



3

3. Place out facing rubber seal and plastic inserts.



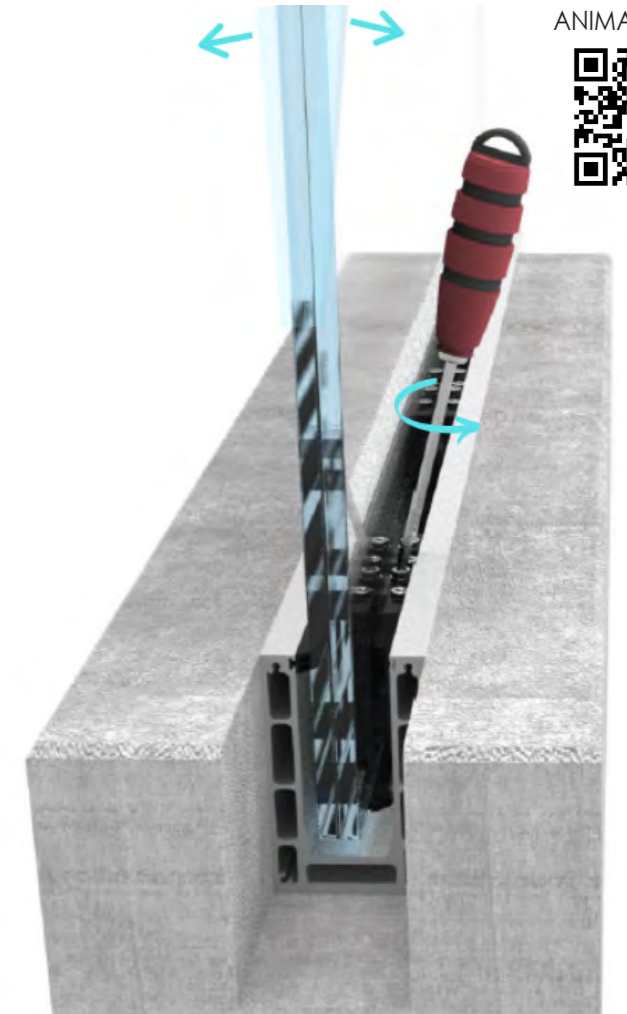
4

4. Place the glass and regulate as show in the bigger picture.

# INSTALL GUIDE

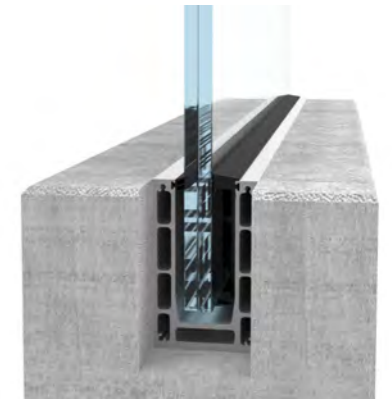
## INTEGRATED - BV 9900

ANIMATION HERE



5

To achieve perfect alignment use the two left most screws. First one tilts the glass towards you, the second opposite direction. When perfect alignment is achieved secure all other screws.



5. Finished look.