

► Raking mouth boxes

Sheet steel boxes of small and medium dimensions. Normal manufacture for models 2,3,4 and 5 and rectangular version for models 3/R and 4/R.



Dimensions on demand



Color: GREEN Ral 6001

► Water-based paint



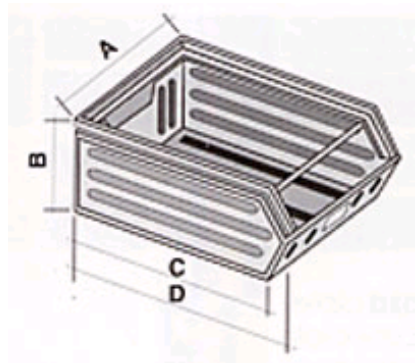
Mod. 2

Mod. 3



Mod. 4

Mod. 5



Optional: removable partitions and beehive boxes-carrier

► Technical details:

Code	Size A	Size B	Size C	Size D
Mod. 2	145	125	200	240
Mod. 3	200	200	300	340
Mod. 4	300	200	450	500
Mod. 5	450	300	650	700