

► Boxes with skid

These skid series boxes are available in models 4 (normal) or 4/R (rectangular) and in model 5 (normal), all supported by skids 100mm-height for a better transpallet handling.

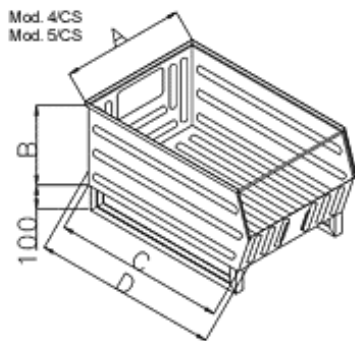
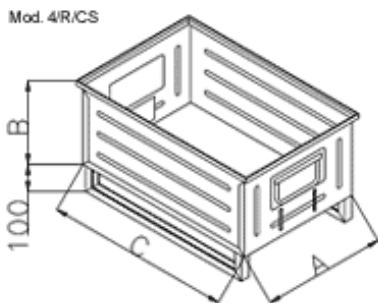


More colors on demand



Color: GREEN Ral 6001

► Water-based paint



Optional: removable partitions and beehive boxes-carrier

► Technical details:

Code	Size A	Size B	Size C	Size D
Mod. 4R/CS	200	200	300	-
Mod. 4/CS	300	200	450	500
Mod. 5/CS	450	300	650	700